

## Modular Cooking Range Line thermaline 90 - 40 lt Well Freestanding Gas Pasta Cooker, 1 Side, H=800

ITEM # \_\_\_\_\_

MODEL # \_\_\_\_\_

NAME # \_\_\_\_\_

SIS # \_\_\_\_\_

AIA # \_\_\_\_\_


**589451 (MCKFFADDPO)**

40lt gas Pasta Cooker, one-side operated

### Short Form Specification

#### Item No.

Unit constructed according to DIN 18860\_2 with 20 mm drop nose top and 70 mm recessed plinth. Internal frame for heavy duty sturdiness in stainless steel. 2 mm top in 1.4301 (AISI 304). Flat surface construction, easily cleanable. THERMODUL connection system enables seamless worktop when units are connected and avoids soil penetrating. Appliance which can also be used to cook noodles of every kind, rice, dumplings and vegetables. Water basin in 1.4435 (AISI 316L) stainless steel. Integrated drip tray to drain baskets. Safety systems and automatic low-water level shut-off protect against overheating. All-round basin raised edges to protect against soil infiltration. Metal knobs with embedded hygienic silicon "soft" grip enable easier handling and cleaning.

IPX4 water resistant certification.

Configuration: Freestanding, One-side operated.

### Main Features

- All major components may be easily accessed from the front.
- THERMODUL connection system creates a seamless work top when units are connected to each other thus avoiding soil penetrating vital components and facilitating the removal of units in case of replacement or service.
- Metal knobs with embedded hygienic "soft-touch" grip for easier handling and cleaning. The special design of the controls prevents infiltration of liquids or soil into vital components.
- Provided with integrated drip zone on which baskets can be placed for draining purposes.
- In addition to cooking pasta, the appliance can be used for noodles of every kind, rice, dumplings and vegetables.
- Easy to clean basin with rounded corners.
- Raised edge all around the well to protect from infiltration of dirt from worktop.
- Safety systems protect against overtemperature and can be manually reset.
- Safety thermostat and thermostatic control.
- Electrical ignition powered by battery with thermocouple for added safety.

### Construction

- 2 mm top in 1.4301 (AISI 304).
- Unit constructed according to DIN 18860\_2 with 20 mm drop nose top and 70 mm recessed plinth.
- Flat surface construction with minimal hidden areas to easily clean all surfaces
- Water basin in 1.4435 (AISI 316L) stainless steel is seamlessly welded into the top of the appliance.
- High efficiency burners in AISI 430 stainless steel with flame failure device.
- IPx4 water protection.
- Internal frame for heavy duty sturdiness in stainless steel.

### Sustainability



- **EnergyControl**: unique feature for fine power adjustment to control boiling level and optimize energy consumption.

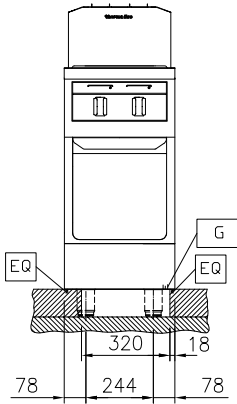
### Optional Accessories

- Connecting rail kit, 900mm PNC 912502
- Stainless steel side panel, 900x800mm, freestanding PNC 912511
- Portioning shelf, 400mm width PNC 912522
- Portioning shelf, 400mm width PNC 912552

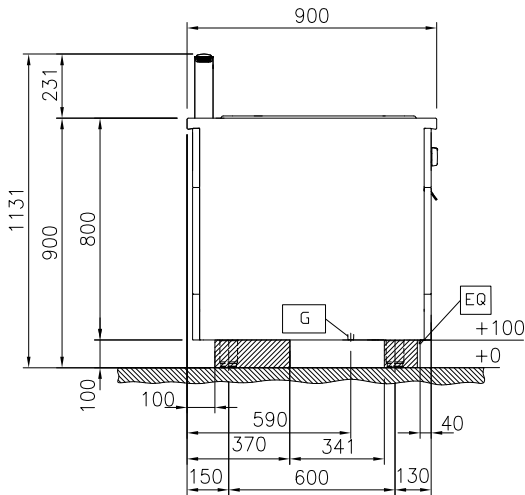
APPROVAL: \_\_\_\_\_

- |                                                                                                                                                                      |            |                          |                                                                                                                                                                                                                                                                                 |            |                          |
|----------------------------------------------------------------------------------------------------------------------------------------------------------------------|------------|--------------------------|---------------------------------------------------------------------------------------------------------------------------------------------------------------------------------------------------------------------------------------------------------------------------------|------------|--------------------------|
| • Folding shelf, 300x900mm                                                                                                                                           | PNC 912581 | <input type="checkbox"/> | • Stainless steel side panel, 900x800mm, flush-fitting (it should only be used against the wall, against a niche and in between Electrolux Professional thermaline and ProThermetic appliances and external appliances - provided that these have at least the same dimensions) | PNC 913689 | <input type="checkbox"/> |
| • Folding shelf, 400x900mm                                                                                                                                           | PNC 912582 | <input type="checkbox"/> |                                                                                                                                                                                                                                                                                 |            |                          |
| • Fixed side shelf, 200x900mm                                                                                                                                        | PNC 912589 | <input type="checkbox"/> |                                                                                                                                                                                                                                                                                 |            |                          |
| • Fixed side shelf, 300x900mm                                                                                                                                        | PNC 912590 | <input type="checkbox"/> |                                                                                                                                                                                                                                                                                 |            |                          |
| • Fixed side shelf, 400x900mm                                                                                                                                        | PNC 912591 | <input type="checkbox"/> |                                                                                                                                                                                                                                                                                 |            |                          |
| • Stainless steel front kicking strip, 400mm width                                                                                                                   | PNC 912594 | <input type="checkbox"/> |                                                                                                                                                                                                                                                                                 |            |                          |
| • Stainless steel side kicking strips left and right, freestanding, 900mm width                                                                                      | PNC 912621 | <input type="checkbox"/> | • Gas mainswitch for modular H800 gas units (factory fitted)                                                                                                                                                                                                                    | PNC 913698 | <input type="checkbox"/> |
| • Stainless steel side kicking strips left and right, back-to-back, 1810mm width                                                                                     | PNC 912627 | <input type="checkbox"/> |                                                                                                                                                                                                                                                                                 |            |                          |
| • Stainless steel plinth, freestanding, 400mm width                                                                                                                  | PNC 912916 | <input type="checkbox"/> |                                                                                                                                                                                                                                                                                 |            |                          |
| • Connecting rail kit: modular 90 (on the left) to ProThermetic tilting (on the right), ProThermetic stationary (on the left) to ProThermetic tilting (on the right) | PNC 912975 | <input type="checkbox"/> |                                                                                                                                                                                                                                                                                 |            |                          |
| • Connecting rail kit: modular 80 (on the right) to ProThermetic tilting (on the left), ProThermetic stationary (on the right) to ProThermetic tilting (on the left) | PNC 912976 | <input type="checkbox"/> |                                                                                                                                                                                                                                                                                 |            |                          |
| • Endrail kit, flush-fitting, left                                                                                                                                   | PNC 913111 | <input type="checkbox"/> |                                                                                                                                                                                                                                                                                 |            |                          |
| • Endrail kit, flush-fitting, right                                                                                                                                  | PNC 913112 | <input type="checkbox"/> |                                                                                                                                                                                                                                                                                 |            |                          |
| • Support frame for 6 round baskets                                                                                                                                  | PNC 913133 | <input type="checkbox"/> |                                                                                                                                                                                                                                                                                 |            |                          |
| • Lid for 40lt pasta cooker                                                                                                                                          | PNC 913149 | <input type="checkbox"/> |                                                                                                                                                                                                                                                                                 |            |                          |
| • Endrail kit (12.5mm) for thermaline 90 units, left                                                                                                                 | PNC 913202 | <input type="checkbox"/> |                                                                                                                                                                                                                                                                                 |            |                          |
| • Endrail kit (12.5mm) for thermaline 90 units, right                                                                                                                | PNC 913203 | <input type="checkbox"/> |                                                                                                                                                                                                                                                                                 |            |                          |
| • Stainless steel side panel, left, H=800, flush                                                                                                                     | PNC 913224 | <input type="checkbox"/> |                                                                                                                                                                                                                                                                                 |            |                          |
| • Stainless steel side panel, left, H=800, flush                                                                                                                     | PNC 913225 | <input type="checkbox"/> |                                                                                                                                                                                                                                                                                 |            |                          |
| • Endrail kit, (12.5mm), for back-to-back installation, left                                                                                                         | PNC 913251 | <input type="checkbox"/> |                                                                                                                                                                                                                                                                                 |            |                          |
| • Endrail kit, (12.5mm), for back-to-back installation, right                                                                                                        | PNC 913252 | <input type="checkbox"/> |                                                                                                                                                                                                                                                                                 |            |                          |
| • Endrail kit, flush-fitting, for back-to-back installation, left                                                                                                    | PNC 913255 | <input type="checkbox"/> |                                                                                                                                                                                                                                                                                 |            |                          |
| • Endrail kit, flush-fitting, for back-to-back installation, right                                                                                                   | PNC 913256 | <input type="checkbox"/> |                                                                                                                                                                                                                                                                                 |            |                          |
| • Side reinforced panel only in combination with side shelf, for freestanding units                                                                                  | PNC 913259 | <input type="checkbox"/> |                                                                                                                                                                                                                                                                                 |            |                          |
| • Side reinforced panel only in combination with side shelf, for back-to-back installations, left                                                                    | PNC 913277 | <input type="checkbox"/> |                                                                                                                                                                                                                                                                                 |            |                          |
| • Side reinforced panel only in combination with side shelf, for back-to-back installation, right                                                                    | PNC 913278 | <input type="checkbox"/> |                                                                                                                                                                                                                                                                                 |            |                          |
| • Stainless steel dividing panel, 900x800mm, (it should only be used between Electrolux Professional thermaline Modular 90 and thermaline C90)                       | PNC 913673 | <input type="checkbox"/> |                                                                                                                                                                                                                                                                                 |            |                          |

Front

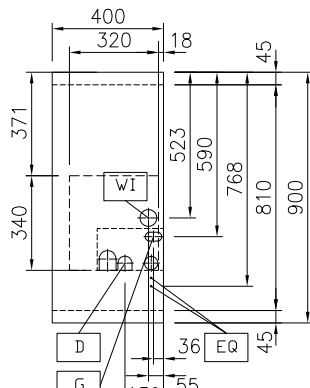


Side



- D = Drain
- EQ = Equipotential screw
- G = Gas connection
- WI = Water inlet

Top



### Gas

Gas Power:	16.5 kW
Gas Inlet:	3/4"

### Key Information:

Number of wells:	1
Usable well dimensions (width):	300 mm
Usable well dimensions (height):	260 mm
Usable well dimensions (depth):	520 mm
Well capacity:	32 lt MIN; 40 lt MAX
Well Capacity (MAX):	40 lt MAX
External dimensions, Width:	400 mm
External dimensions, Depth:	900 mm
External dimensions, Height:	800 mm
Net weight:	73 kg
Configuration:	On Base; One-Side Operated